

SnappyTrap[®]

The Right Fit Drain Kit.
Universal Drain Kit For All Bathroom Sinks



PARTS INCLUDED:



a. Flexible hose connector



b. P-Trap with washer



b2. Long wall tube with washer



c. Ergonomic slip nut (3)



d. 1 1/2" Orange slip nut washer (3)
1 1/4" Blue slip nut washer (1)



e. Wall drain coupling*
*Not included in UPC certification



f. 6" Extension Tube



g. Reducing coupler*

I. BEFORE YOU BEGIN

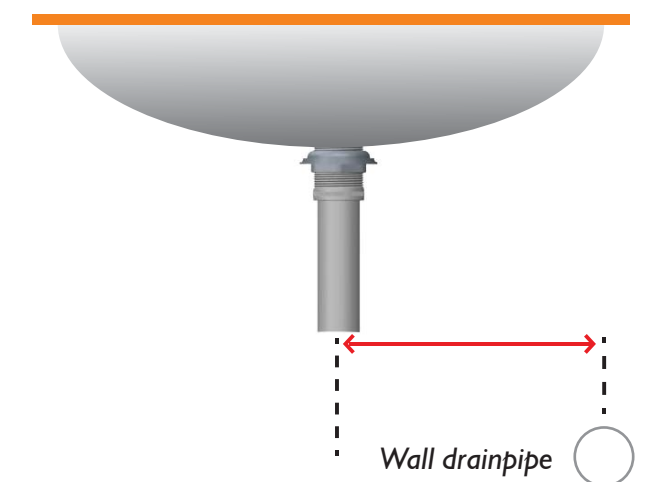
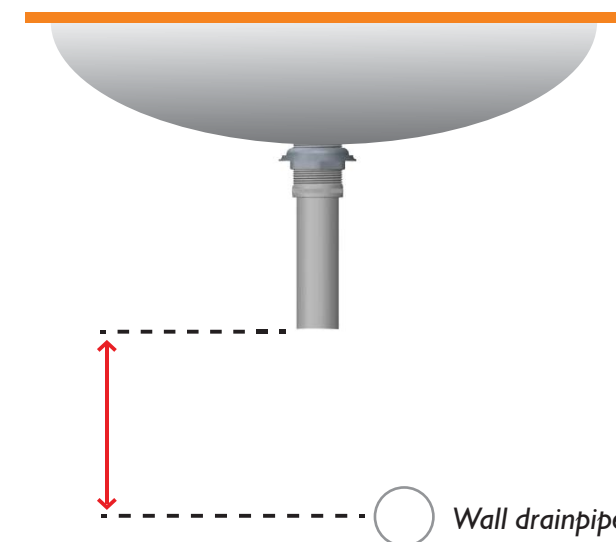
Please read through all the instructions before beginning the installation.

I Measure the **vertical** distance from the sink drain tailpiece to the wall drainpipe, if the distance is:

- **0" to 2"** ▶ Do not use extension tube (f)
- **3" to 8"** ▶ Use extension tube (f)

Measure the **horizontal** distance from the sink drain tailpiece to the wall drainpipe, if the distance is:

- **0" to 3.5"** ▶ Use the long wall tube (b2) instead of the flexible hose connector (a)
- **3.5" to 13"** ▶ Use the flexible hose connector (a)
- **<13"** ▶ Use the long wall tube (b2) and the flexible hose connector (a)



Questions?

✉ support@snappytrap.com

☎ (832) 900-9117

www.snappytrap.com
CFX Plumbing, Inc. 300 Convent Street # 1330 San Antonio, TX 78205
Made in Mexico

AV-IIDK105 Rev. G

Patent pending

II. CONNECT TO THE WALL DRAIN (FLEXIBLE HOSE OR LONG WALL TUBE)



FOR 1 1/2" WALL DRAINPIPE WITH A 1 1/2" MARVEL ADAPTER

Remove the existing slip nut and washer from marvel adapter in the wall drain and slide them in the male connector of the flexible hose (a) or the long wall tube (b2) with the conical side of the washer facing out. Insert the flexible hose (a) or long wall tube (b2) into wall drain and tighten slip nut firmly. We have included an extra washer (e) if needed.

OR USING COUPLING INCLUDED → (1b)



FOR 1 1/2" OR 1 1/4" WALL DRAINPIPE WITHOUT A MARVEL ADAPTER

Insert the flexible coupling (e) into the wall drain. The larger side of the coupling connects to all common 1 1/2" or 1 1/4" drain pipes. Seal the coupling to the pipe by tightening the clamps with a socket wrench. Insert the flexible hose (a) or long wall tube (b2) through the coupling and into the pipe, adjust metal clamps firmly.



FOR 1 1/4" WALL DRAINPIPE WITH 1 1/4" MARVEL ADAPTER OR OTHER TYPE OF ADAPTER

Remove the slip nut and washer from the reducing coupler (g) and slide them in the flexible hose connector (a) or long wall tube (b1). Insert the reducing coupler into the flexible hose (a) or long wall tube (b2) and tighten the slip nut. Remove the slip nut and washer from the adapter in the wall drainpipe and slide them in the smooth end of the reducing coupler. Insert the flexible hose (a) or long wall tube (b2) with the reducing coupler into the adapter in the wall drainpipe and tighten the slip nut.

PLACE THE EXTENSION TUBE (IF NEEDED FROM STEP 1)



Slide slip nut (c) and a 1 1/4" blue washer (d) in the drain tailpiece, with the conical side of the washer facing down. Insert the extension tube (f) in drain tailpiece and tighten slip nut firmly.



Slide another slip nut (c) and a 1 1/2" orange washer (d) in extension tube (f), with the conical side of the washer facing down. Continue with Step 4, Inserting the P-Trap, directly below.

III. CONNECT P-TRAP TO SINK DRAIN



Slide slip nut (c) and a 1 1/4" blue washer (d) in the existing drain tailpiece, with the conical side of the washer facing down.



Insert the P-Trap (b) in the sink tailpiece or extension tube (f) and tighten slip nut loosely, allowing the P-Trap to swivel.

Note: If the long wall tube (b2) is being used instead of the flexible hose (a), remove the short wall tube from the P-Trap (b) and insert only the "J-bend" portion in the sink drain tailpiece. Skip to Step 8, Connecting the wall tube.



The slip nuts should be tightened loosely, this will make it easier to align the P-Trap and the flexible hose.

IV. CONNECT THE FLEXIBLE HOSE OR LONG WALL TUBE

HORIZONTAL DISTANCE 0" TO 3.5", CONNECT LONG WALL TUBE (b2)



Align the "J-bend" portion of the P-Trap (b) to the long wall tube (b2), connect and tighten slipnut.

HORIZONTAL DISTANCE 3.5" TO 13", CONNECT FLEXIBLE HOSE (a)



Insert a slip nut (c) and an orange washer (d) in the outlet tube of the P-Trap (b) with the conical side of the washer facing out.



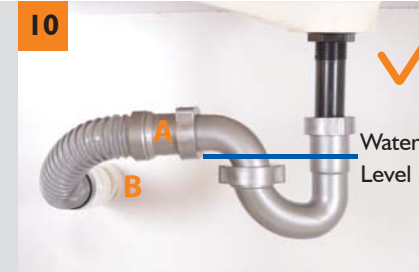
Connect the P-Trap outlet tube and the flexible hose connector (a). Tighten slip nut firmly.



Connect the Long Wall Tube (b2) and the flexible hose (a). Tighten slip nut firmly.

HORIZONTAL DISTANCE < 13", CONNECT FLEXIBLE HOSE (a) AND LONG WALL TUBE (b2)

V. FINAL STEP/ CHECK WATER LEVEL



Connection (A) is above the level of the wall drain pipe (B).



Connection (A) is on the same level as wall drainpipe (B).

NOTE: Make sure the connection between the flexible hose connector and P-Trap (A) is on or above the level of the wall drainpipe (B), in order to prevent standing water in the hose section. For help in achieving this, you can try to insert the P-Trap further up the sink drain tailpiece. You may also cut the length of the sink drain tailpiece or extension to raise the P-Trap.

- Tighten all loose slip nuts once the Snappy Trap is in place. - Turn on water and check for leaks.
- If any leaks present, check and re-tighten all slip nuts.

OTHER TIPS



The flexible hose may need to be further accommodated. Turn the P-Trap towards the back or to the sides as needed.

Visit snappytrap.com for special installation videos.

If you have not been able to achieve an optimal installation, please visit:

www.snappytrap.com for support VIDEOS on how to:

❑ Cut wall drainpipe if it's too long.

❑ Cut the length of the flexible hose (a) if needed.